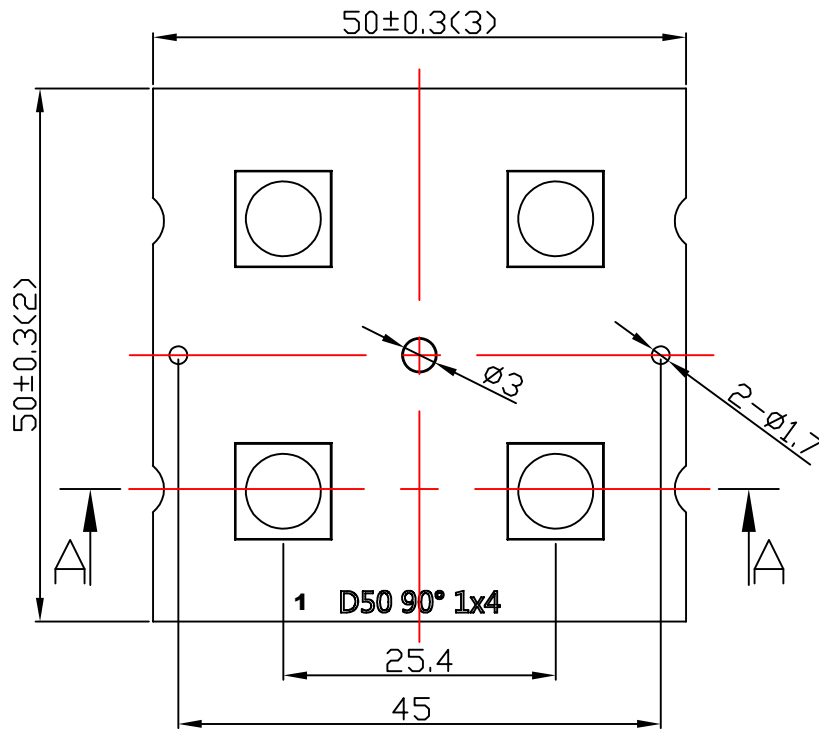
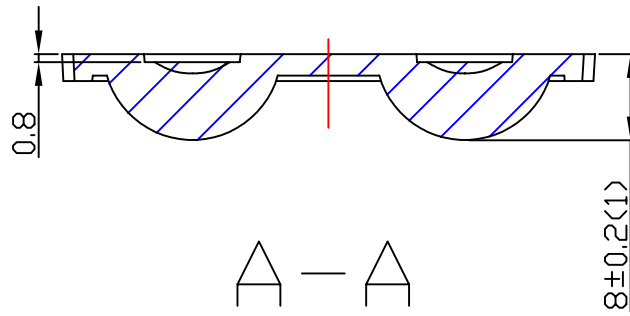
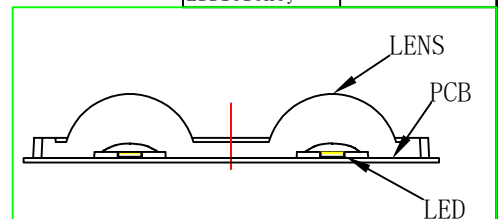
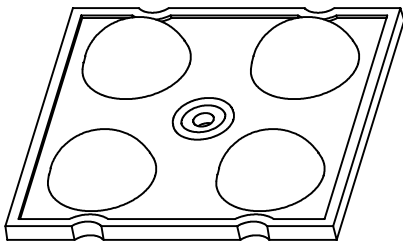


table for unmentioned tolerance in the drawing (unit: mm)					
0-5	5-30	30-120	120-250	250-400	400-700
±0.15	±0.2	±0.5	±0.8	±1.5	±2



Light Source	LUMILEDS LUXEON 3030 2D
PlasticHolder	
Metal Adaptor	
Design Angle	90° ±8°
Measured Angle	95.8°
Efficiency	



					Material:PC		Nata[®] NATA Lighting Co.,Ltd	
Mark	Amended Times	Amended Content		Signature	Amended Date	Customer Item		
Controll Version	A0	Design Version	K0	Client Version		Customer Code		NT
Designer		Drawing by		Proportion	1:1	Product Number		
Technology		Auditor		View		Product Name		LM04L05090BQ
Approval		Date	2019. 05. 10	Page	Total_ Page_			