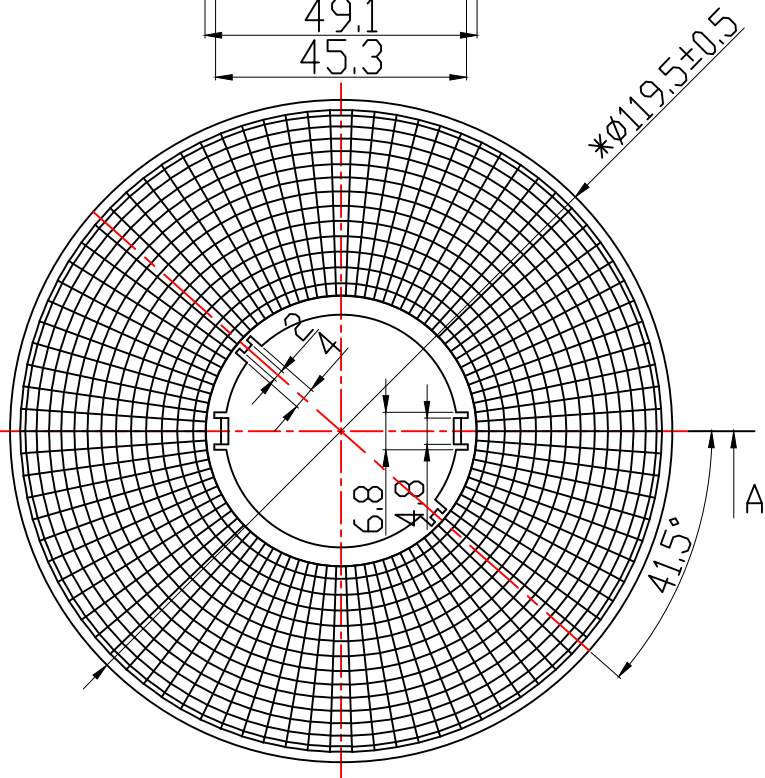
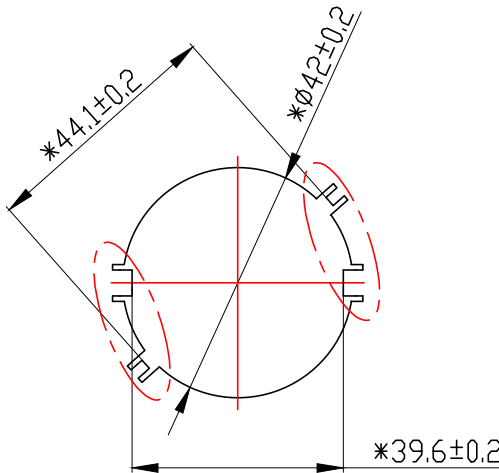
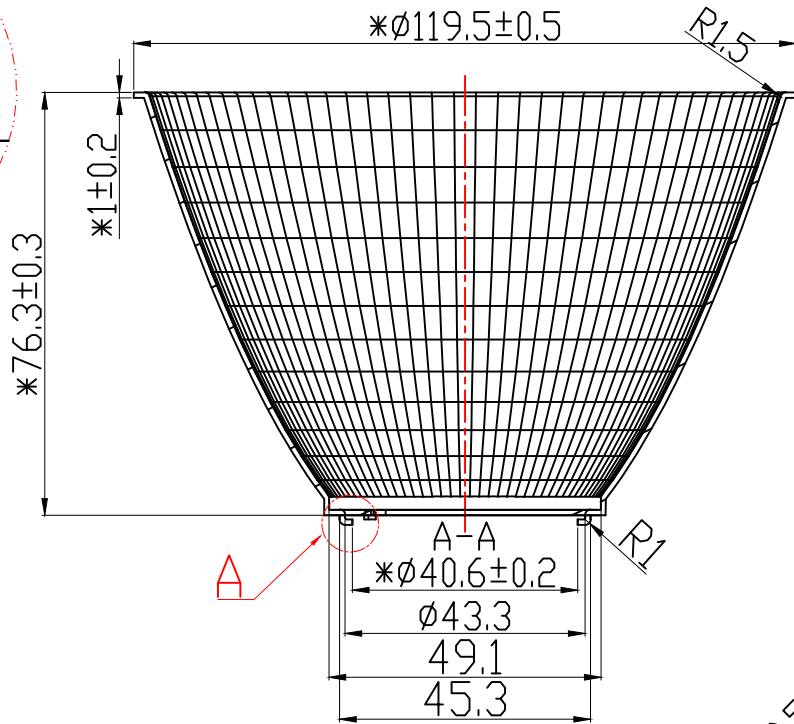
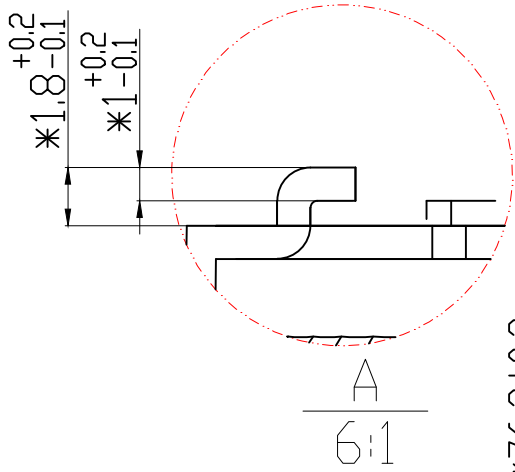
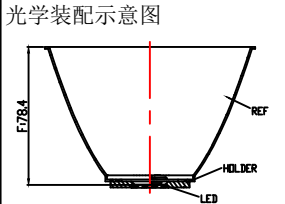


| table for unmentioned tolerance in the drawing (unit: mm) |           |           |          | punch angle tolerance in the drawing (unit: degree) |         |           |
|---|-----------|-----------|----------|---|---------|-----------|
| > 0-5   | > 5-30    | > 30-90   | > 90-150 | 0-10  | 10-50   | 50-120    |
| ±0.15   | ±0.2      | ±0.4      | ±0.5     | ±1°   | ±0.5°   | ±0.3°     |
| > 150-250   | > 250-400 | > 400-700 |          | 120-250   | 250-360 | 360 above |
| ±0.8  | ±1.5      | ±2        |          | ±0.2°   | ±0.166° | ±0.085°   |

“\*” Marked for key control dimensions



|                |                   |
|----------------|-------------------|
| Light Source   | CITIZEN<br>CLU038 |
| Plastic Holder | 92.70.131.00      |
| Metal Adaptor  |                   |
| Design Angle   | 10° ± 3°          |
| Measured Angle | 10.7°             |
| Efficiency     | 91.76%            |



|             |               |                   |           |                      |
|-------------|---------------|-------------------|-----------|----------------------|
| 标记          | 1             | 更改内容              | 签名        | 更改日期                 |
| MARK        | NO. OF MODIF. | MODIFICATIONS     | SIGNED BY | MODIF. DATE          |
| 设计          |               | 制图                | 比例        | 1:1                  |
| DESIGNER    |               | DRAWN BY          | SCALE     |                      |
| 工艺          |               | 审核                | 视角        | 1st ANGLE PROJECTION |
| TECHNICAN   |               | CHECKED BY        |           |                      |
| 批准          |               | 日期                | 页数        | SHEET 1 OF 1         |
| APPROVED BY |               | DATE (DD-MM-YYYY) | PAGE      |                      |
|             |               | 28-03-2019        |           |                      |

|   |                        |                    |
|---|------------------------|--------------------|
| MATERIAL: T=1.0MM 1090AL<br>FINISH: ANDOIZING | P/N:<br>91.04.2640.001 | 版本/REV<br>KO       |
|   | 产品名称<br>PRODUCT NAME   | 4-2640-A2          |
|   | 客户代号<br>CUSTOMER ID    | NT                 |
|   | 客户编号<br>CUSTOMER CODE  | AR-D120 10°<br>BJB |
| <b>Nata</b>                                   |                        |                    |