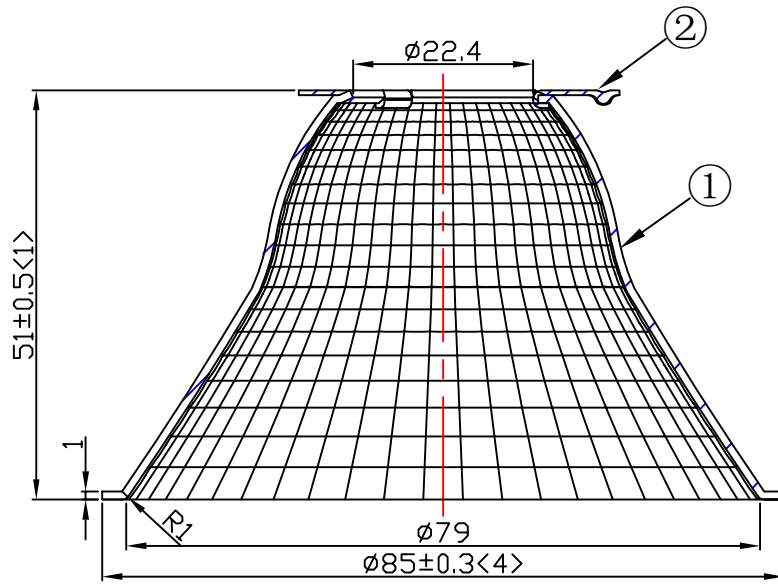
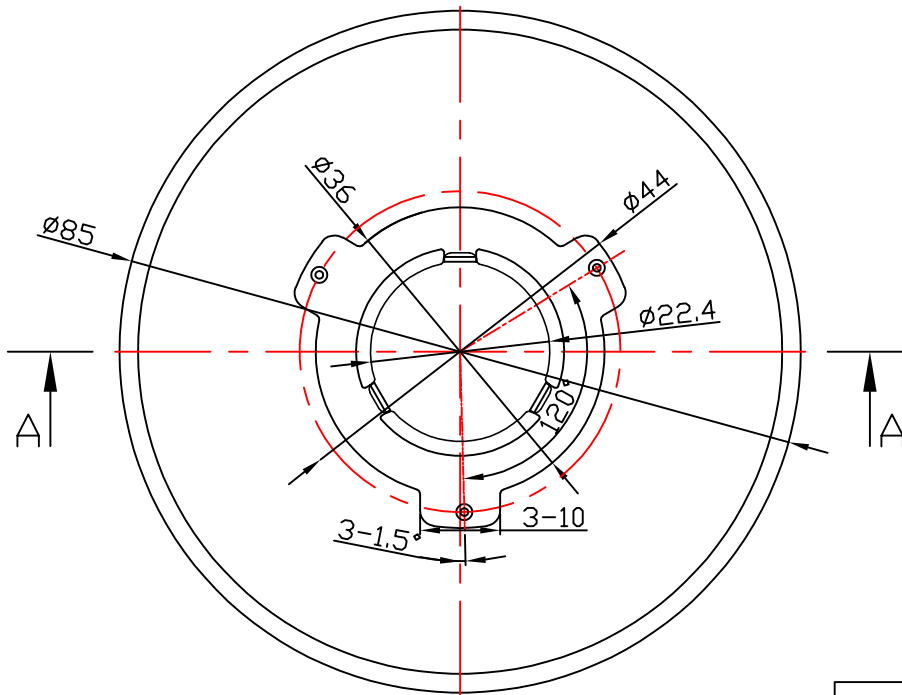


Product bill of material				
Serial number	material name	Masterial number	NO.	Describe
①	3-1906-A	94.03.1906.000	1	Material:T=1.0mm 1090AL
②	020351	97.76.351.00	1	Material:T=0.6mm SUS304

table for unmentioned tolerance in the drawing (unit: mm)			punch angle tolerance in the drawing (unit:degree)		
0-5	5-30	30-120	0-10	10-50	50-120
±0.15	±0.2	±0.5	±1°	±0.5°	±0.3°
120-250	250-400	400-700	120-250	250-360	360 abov
±0.8	±1.5	±2	±0.2°	±0.166°	±0.083



A-A



Light Source	XICATO XTM 19 MM
Plastic Holder	
Metal Adaptar	
Design Angle	62 ± 5°
Measured Angle	62.0°

Mark	Amended Times	Amended Content		Signature	Amended Date	 <b>NATA Lighting Co.,Ltd</b>		Customer Item	
Controll Version	A1	Design Version	KO	Client Version				Customer Code	NT
Designer		Drawing by		Proportion	1:1			Product Number	
Technology		Auditor		View				Product Name	3-1905-M
Approval		Date	2016 12 21	Page	Total Page				