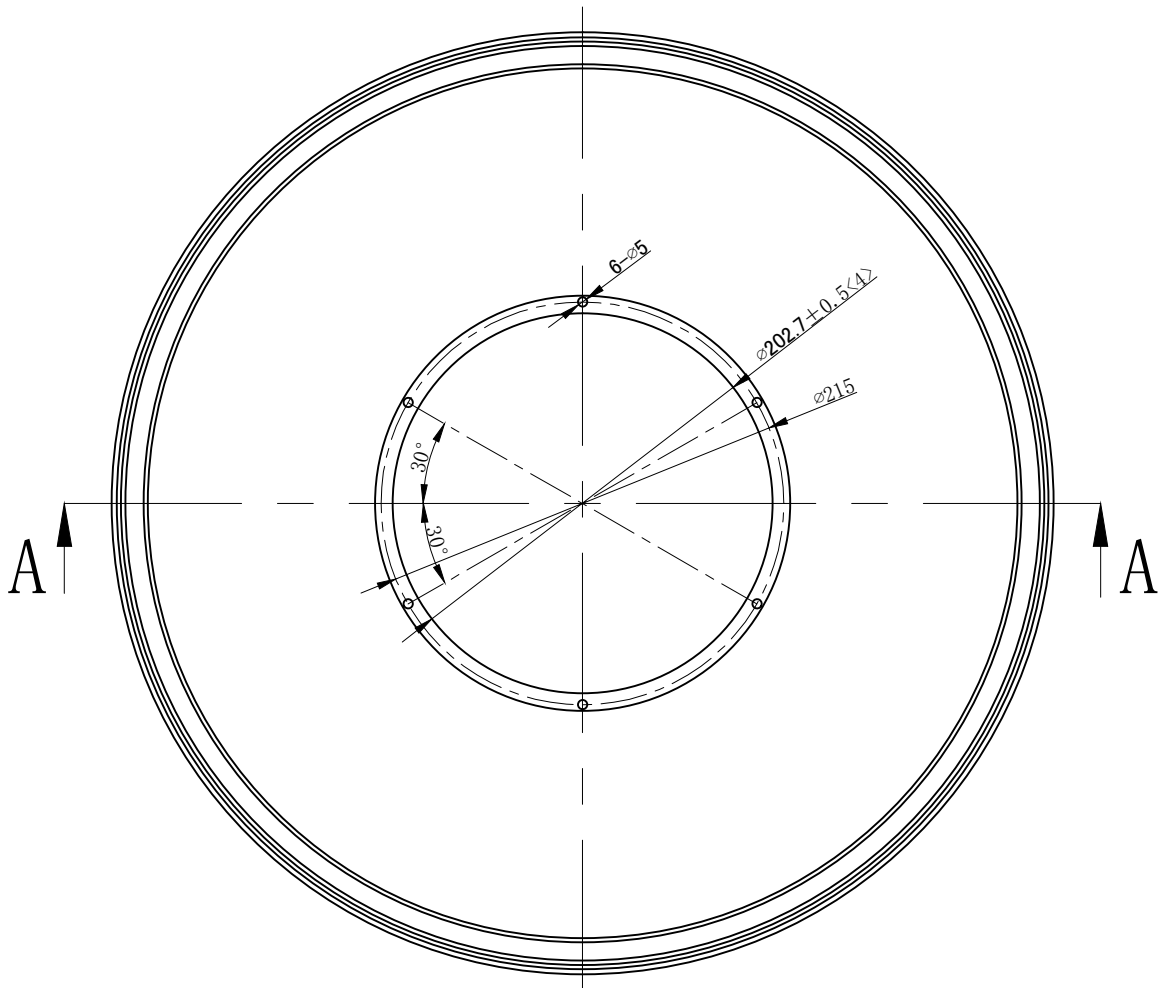
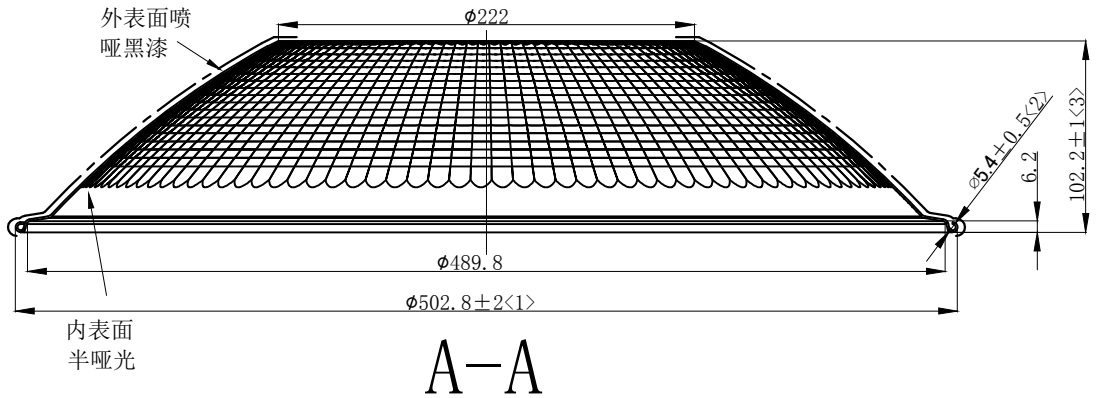


未注公差表 (单位: MM)			冲孔角度公差表 (单位: 度)		
0-5	5-30	30-120	0-10	10-50	50-120
±0.15	±0.2	±0.5	±1°	±0.5°	±0.3°
120-250	250-400	400-700	120-250	250-360	360以上
±0.8	±1.5	±2	±0.2°	±0.166°	±0.083°
"(<)" Important size					



				Material:T=1.0 1070AL		Nata [®] NATA Lighting Co.,Ltd	
Mark	Amended Times	Amended Content		Signature	Amended Date	Customer Item	
Control Version	A0	Design Version	K0	Client Version		Customer Code	NT
Designer		Drawing by		Proportion	1:1	Product Number	20-0017-K
Technology		Auditor		View		Product Name	91.20.0017.000
Approval		Date	2019.08.22	Page	Total Page		