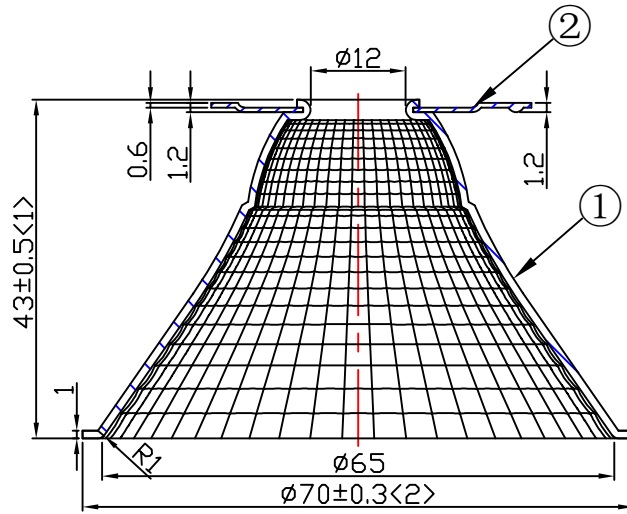
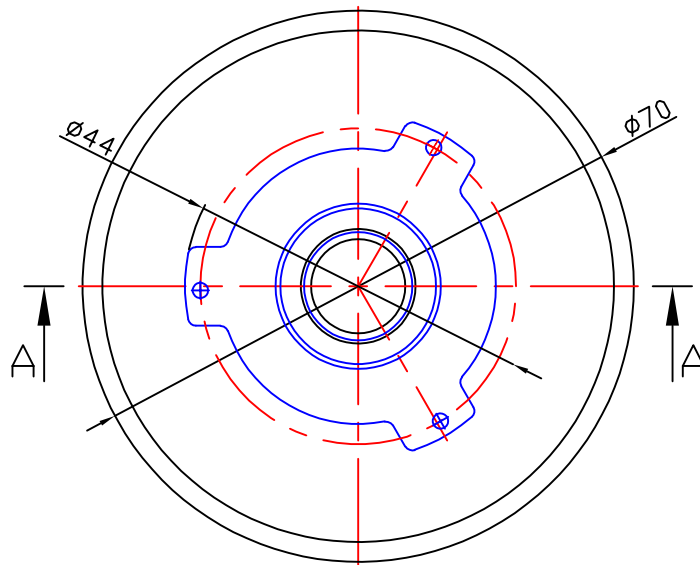


Product bill of material				
Serial number	material name	Masterial number	NO.	Describe
①	2-1848-A	94.02.1848.000	1	Material:T=1.0mm 1090AL
②	020283	97.76.283.00	1	Material:T=0.6mm SUS304

table for unmentioned tolerance in the drawing (unit: mm)			punch angle tolerance in the drawing (unit:degree)		
0-5	5-30	30-120	0-10	10-50	50-120
±0.15	±0.2	±0.5	±1°	±0.5°	±0.3°
120-250	250-400	400-700	120-250	250-360	360 above
±0.8	±1.5	±2	±0.2°	±0.166°	±0.083°



A-A



Light Source	XICATO XTM LES 9mm
PlasticHolder	
Metal Adaptar	
Design Angle	$60^\circ \pm 5^\circ$
Measured Angle	60.5°
Efficiency	

Mark	Amended Times	Amended Content	Signature	Amended Date
Control Version	A2	Design Version KO	Client Version	
Designer		Drawing by	Proportion 1:1	
Technology		Auditor	View	
Approval		Date 2018.01.04	Page	Total Page

Nata[®]
NATA Lighting Co.,Ltd

Customer Item	
Customer Code	NT
Product Number	
Product Name	2-1213-M