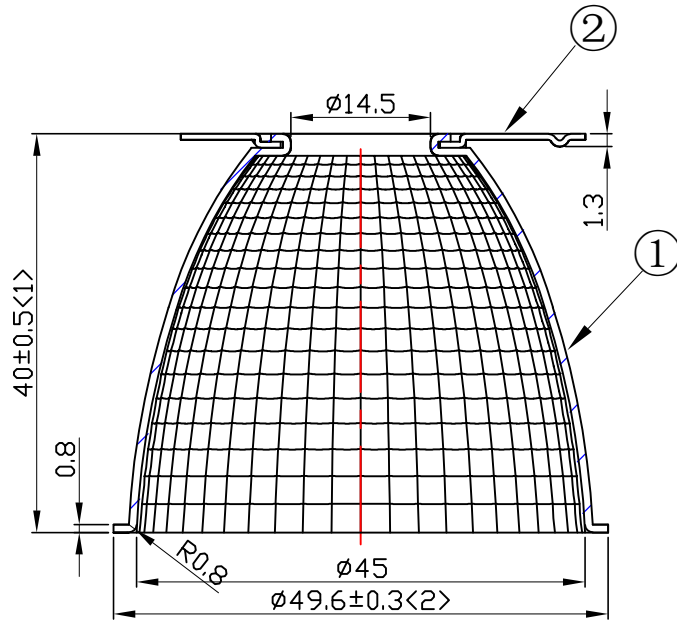
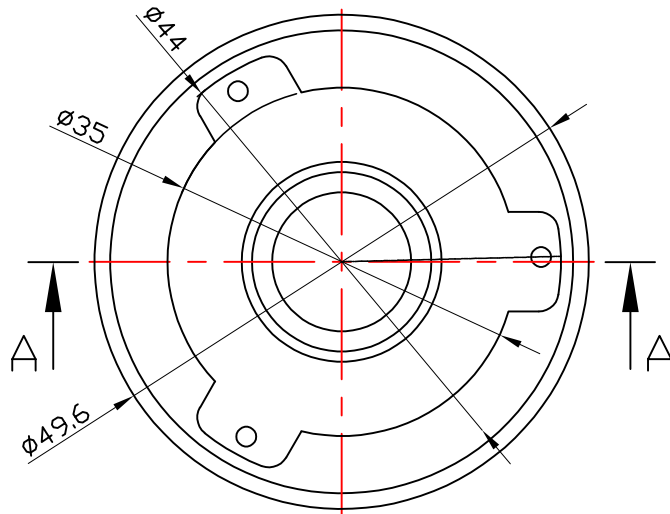


Product bill of material				
Serial number	material name	Masterial number	NO.	Describe
①	1770-A	94.01.0770.000	1	Material:T=0.8mm 1090AL
②	020282	97.76.282.00	1	Material:T=0.6mm SUS304

table for unmentioned tolerance in the drawing (unit: mm)			punch angle tolerance in the drawing (unit:degree)		
0-5	5-30	30-120	0-10	10-50	50-120
±0.15	±0.2	±0.5	±1°	±0.5°	±0.3°
120-250	250-400	400-700	120-250	250-360	360 above
±0.8	±1.5	±2	±0.2°	±0.166°	±0.083°



A-A



Light Source	XICATO XTM LES9mm
PlasticHolder	
Metal Adaptar	
Design Angle	40° ±3°
Measured Angle	40.4°
Efficiency	

					Nata[®] NATA Lighting Co.,Ltd				
					Customer Item				
					Customer Code				
					Product Number				
					Product Name				
Mark	Amended Times	Amended Content			Signature	Amended Date			
Controll Version	A3	Design Version	K0		Client Version				
Designer		Drawing by			Proportion	1:1			
Technology		Auditor			View				
Approval		Date	2018.01.08	Page	Total Page				