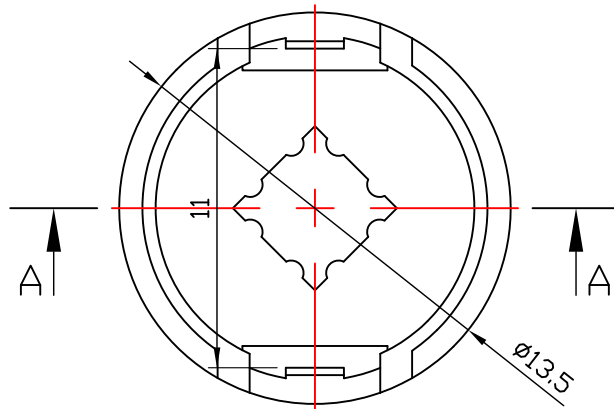
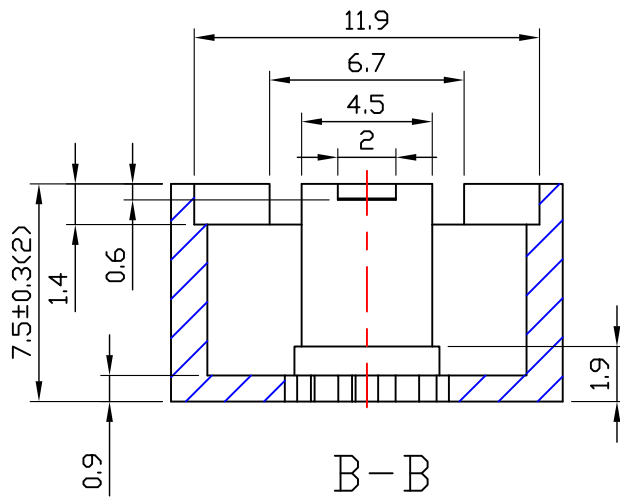
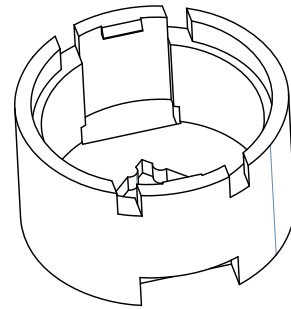
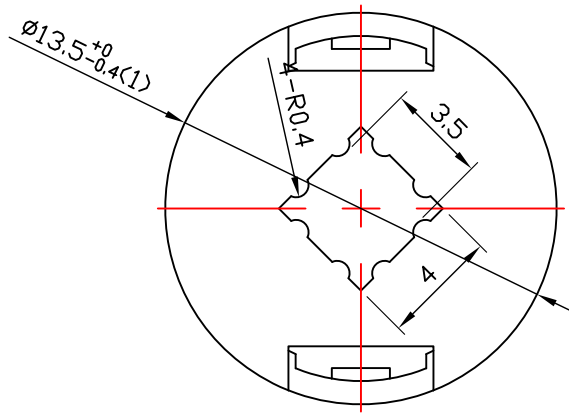


Table for unmentioned tolerance in the drawing (unit: mm)					
0-5	5-30	30-120	120-250	250-400	400-700
±0.15	±0.2	±0.5	±0.8	±1.5	±2



					Material:PC		<b>Nata</b> <sup>®</sup> <b>NATA Lighting Co.,Ltd</b>	
							Customer Item	
							Customer Code	NT
							Product Number	97.70.104.00
							Product Name	NA01AP透镜支架
Mark	Amended Times	Amended Content			Signature	Amended Date		
Control Version	A0	Design Version	K0		Client Version			
Designer		Drawing by			Proportion	1:1		
Technology		Auditor			View			
Approval		Date	2019.05.14	Page	Total_ Page_			