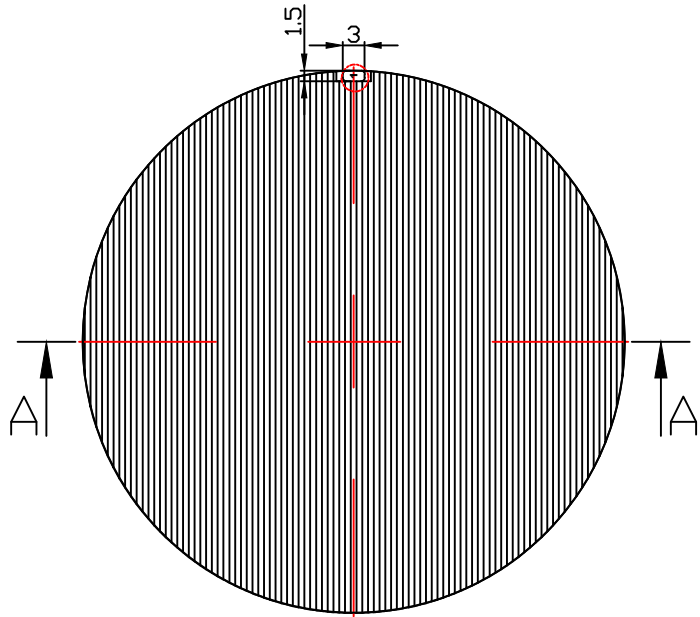
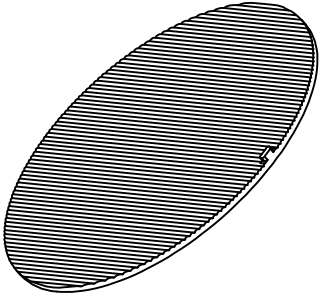
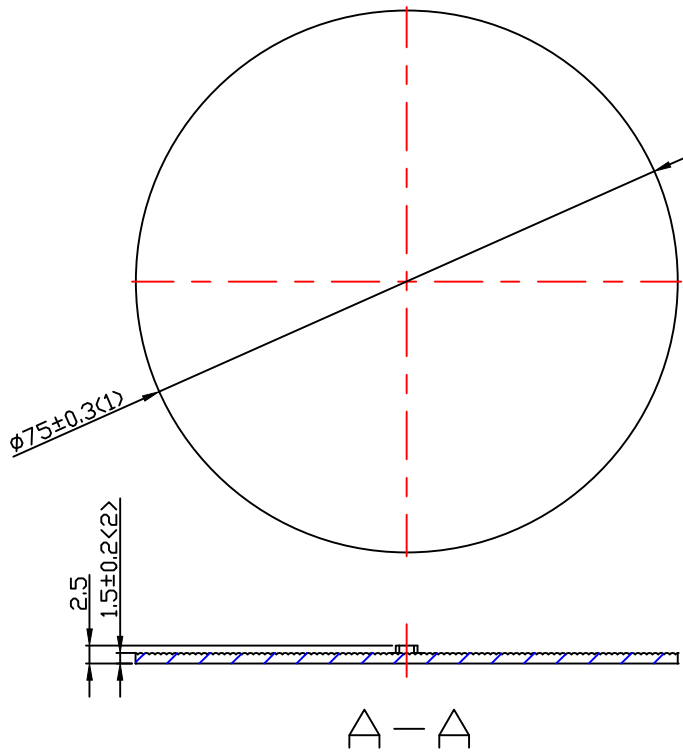


table for unmentioned tolerance in the drawing (unit: mm)

0-5	5-30	30-120	120-250	250-400	400-700
± 0.15	± 0.2	± 0.5	± 0.8	± 1.5	± 2



				Material:PC		Nata[®] NATA Lighting Co.,Ltd	
Mark	Amended Times	Amended Content		Signature	Amended Date	Customer Item	
Control Version	A0	Design Version	K0	Client Version		Customer Code	NT
Designer		Drawing by		Proportion	1:1	Product Number	92.70.138.00
Technology		Auditor		View		Product Name	D75条形调光片
Approval		Date	2018.05.08	Page	Total Page		