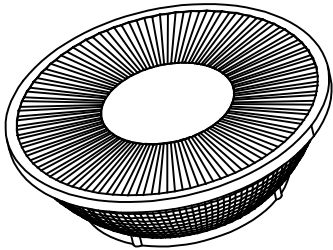
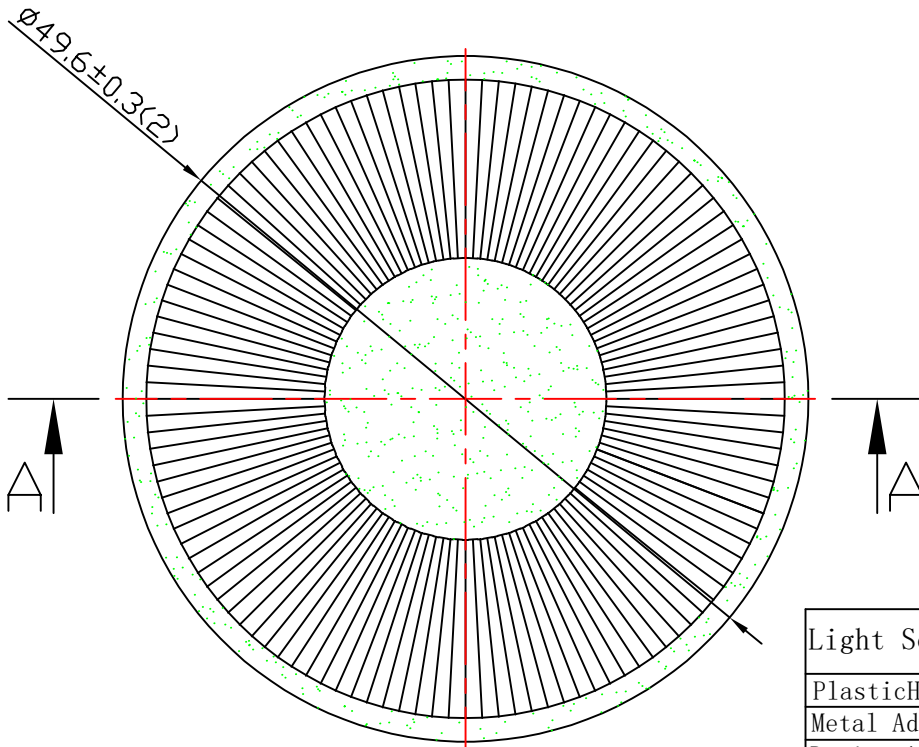
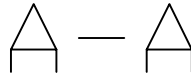
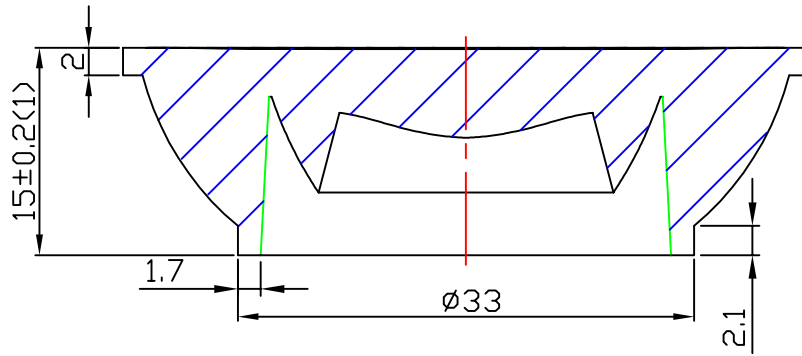


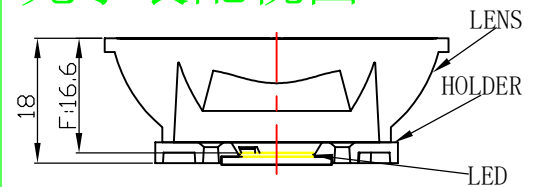
table for unmentioned tolerance in the drawing
(unit: mm)

0-5	5-30	30-120	120-250	250-400	400-700
±0.15	±0.2	±0.5	±0.8	±1.5	±2



Light Source	CREE CXA1507
PlasticHolder	92. 70. 185. 00
Metal Adaptor	
Design Angle	38° ±3°
Measured Angle	37.2°
Efficiency	

光学装配视图



Material:PMMA

Nata[®]
NATA Lighting Co.,Ltd

Mark	Amended Times	Amended Content		Signature	Amended Date
Control Version	A0	Design Version	K3	Client Version	
Designer		Drawing by		Proportion	1:1
Technology		Auditor		View	
Approval		Date	2018.07.30	Page	Total Page_

Customer Item	
Customer Code	NT
Product Number	
Product Name	CR01D05038BM