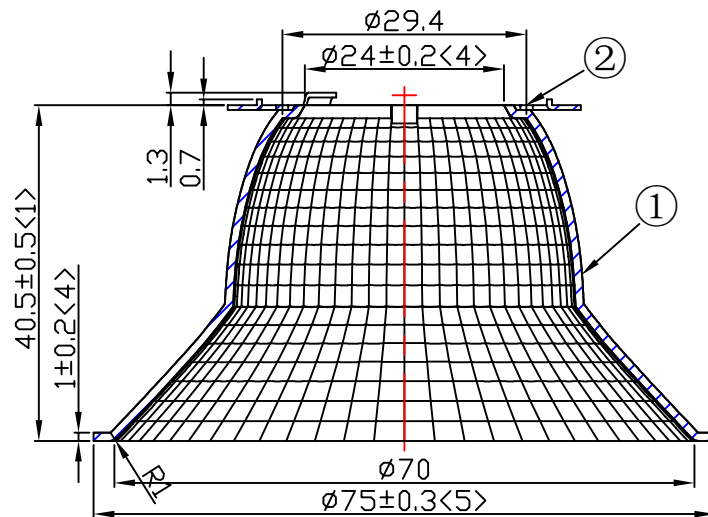
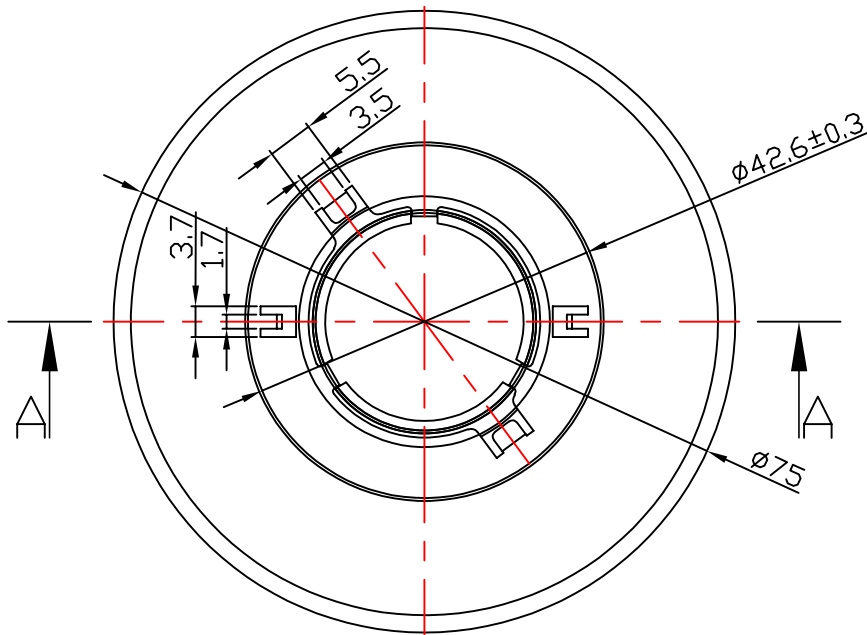


Product bill of material				
Serial number	material name	Masterial number	NO.	Describe
①	2-1576-A	94.02.1576.000	1	Material:T=1.0mm 1090AL
②	020359	97.76.359.00	1	Material:T=0.6mm SUS304

table for unmentioned tolerance in the drawing (unit: mm)			punch angle tolerance in the drawing (unit:degree)		
0-5	5-30	30-120	0-10	10-50	50-120
±0.15	±0.2	±0.5	±1°	±0.5°	±0.3°
120-250	250-400	400-700	120-250	250-360	360 abov
±0.8	±1.5	±2	±0.2°	±0.166°	±0.083°

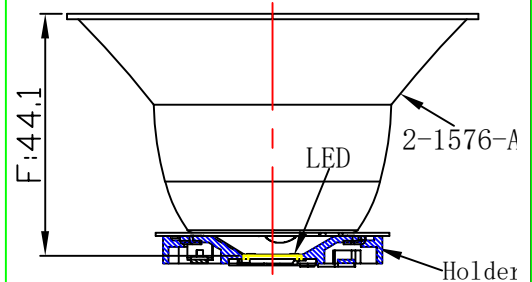


A-A



Light Source	CREE CXA1512 LESS.
PlasticHolder	BJB 47.319.610
Metal Adaptor	
Design Angle	60° ± 5°
Measured Angle	62.7°
Efficiency	

光学装配示意图



Mark	Amended Times	Amended Content	Signature	Amended Date	 Nata® NATA Lighting Co.,Ltd	Customer Item		
Controll Version	AO	Design Version	KO	Client Version		Customer Code	NT	
Designer		Drawing by		Proportion		1:1	Product Number	
Technology		Auditor		View			Product Name	2-1565-M
Approval		Date	2018.07.01	Page				