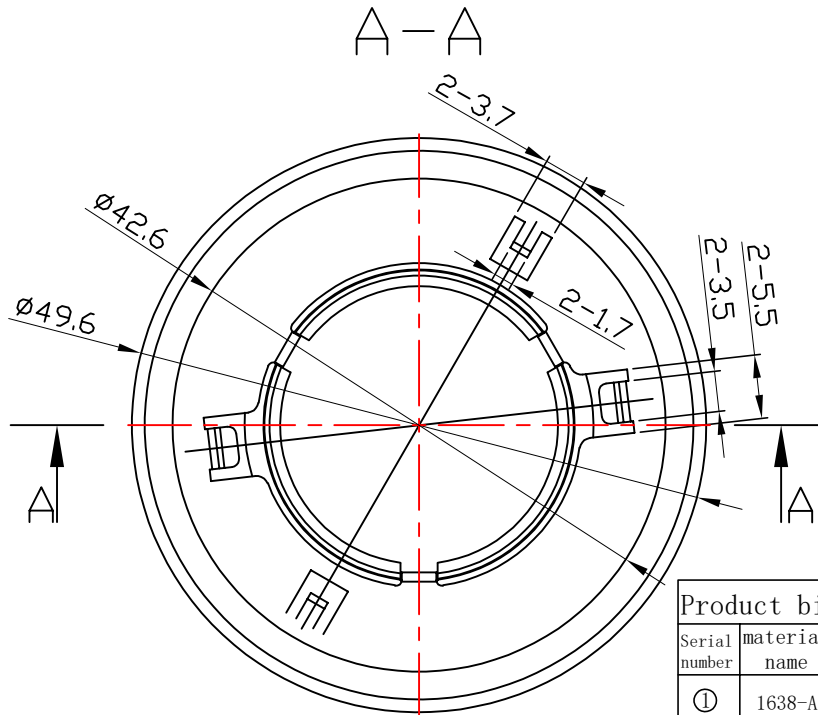
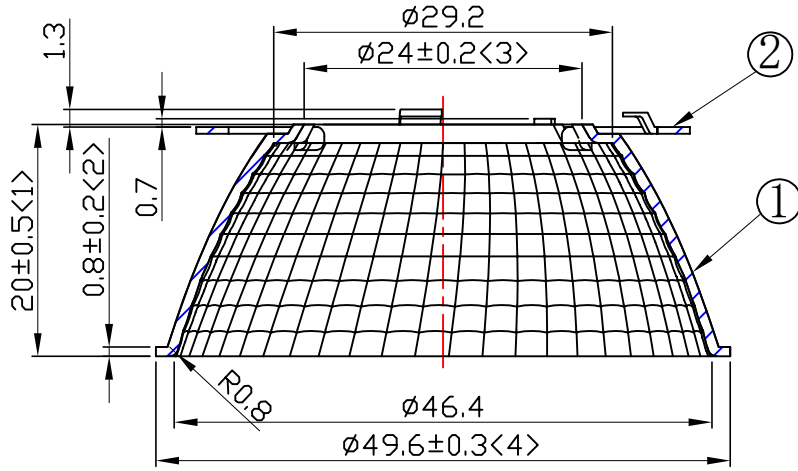


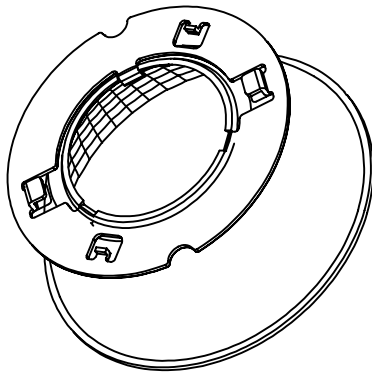
table for unmentioned tolerance in the drawing (unit: mm)			punch angle tolerance in the drawing (unit: degree)		
0-5	5-30	30-120	0-10	10-50	50-120
±0.15	±0.2	±0.5	±1°	±0.5°	±0.3°
120-250	250-400	400-700	120-250	250-360	360 abov
±0.8	±1.5	±2	±0.2°	±0.166°	±0.083°



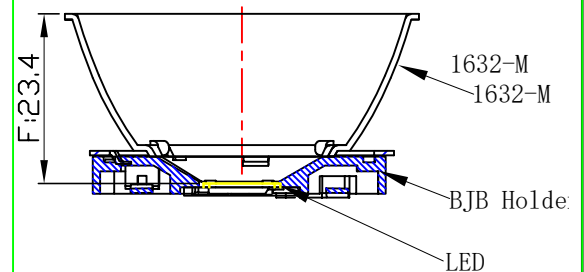
Light Source	CREE CXA1512
PlasticHolder	BJB 47.319.6105
Metal Adaptor	
Design Angle	$40^\circ \pm 3^\circ$
Measured Angle	$42.4^\circ$
Efficiency	

Product bill of material

Serial number	material name	Masterial number	NO.	Pagunation	Describe
①	1638-A	94.01.0638.000	1	1	Material: T=0.8mm 1090A
②	020359	97.76.359.00	1	2	Material: T=0.6mm SUS30



光学装配示意图



Mark	Amended Times	Amended Content		Signature	Amended Date
Control Version	AO	Design Version	KO	Client Version	
Designer		Drawing by		Proportion	1:1
Technology		Auditor		View	
Approval		Date	2018.07.01	Page	Total_Page_

Material:T=0.8 1090AL

**Nata**<sup>®</sup>  
**NATA Lighting Co.,Ltd**

Customer Item	
Customer Code	NT
Product Number	
Product Name	1634-M